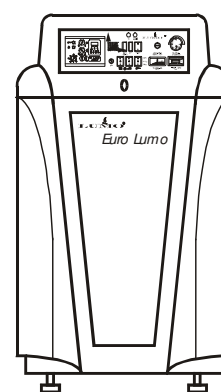
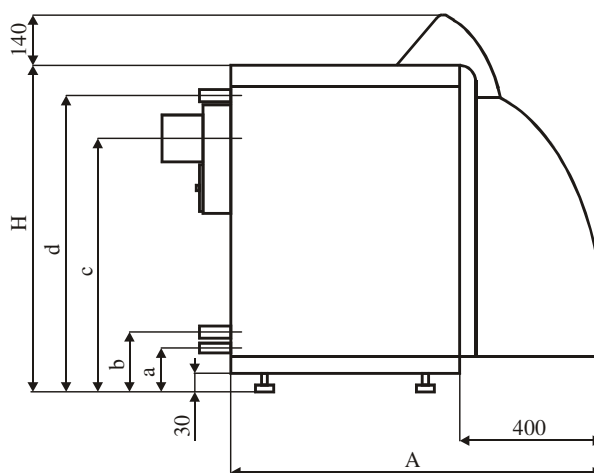
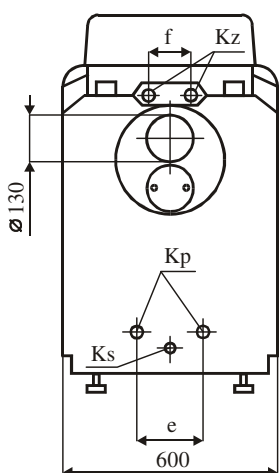


| Wymiary zewnętrzne kotłów | | | | | | |
|------------------------------|-----------|------------------|------|------|------|------|
| Wymiar | Jednostka | Moc kotła [kW] | | | | |
| | | 20 | 28 | 33 | 40 | 45 |
| A | mm | 1045 | 1045 | 1165 | 1165 | 1165 |
| a | mm | 90 | 65 | 65 | 65 | 65 |
| b | mm | 145 | 115 | 115 | 115 | 115 |
| c | mm | 670 | 695 | 695 | 695 | 695 |
| d | mm | 880 | 830 | 830 | 830 | 830 |
| H | mm | 880 | 900 | 900 | 900 | 900 |
| e | mm | 200 | 240 | 240 | 240 | 240 |
| f | mm | 125 | 165 | 165 | 165 | 165 |
| Kz | R" | 1 | 1 | 1 | 1 | 1 |
| Kp | R" | 1 | 1 | 1 | 1 | 1 |
| Ks | R" | 3/4 | 3/4 | 3/4 | 3/4 | 3/4 |
| Ciężar kotła | kg | 139 | 147 | 156 | 167 | 177 |
| Średnica wylotu spalin | mm | 130 | | | | |
| Parametry pracy | | | | | | |
| Dopuszczalne ciśnienie pracy | MPa | 0,3 | | | | |
| Maksymalna temperatura pracy | °C | 95 | | | | |
| Temperatura spalin | °C | 160 – 170 | | | | |
| Sprawność kotła | % | 93 | | | | |
| Parametry elektryczne | | | | | | |
| Napięcie znamionowe | V/Hz | 220 – 230/50 | | | | |
| Pobór mocy | W | 400 | | | | |
| Stopień ochrony pulpitu | - | IP 40 | | | | |



Kz - króciec zasilający
 Kp - króciec powrotny
 Ks - króciec spustowy

